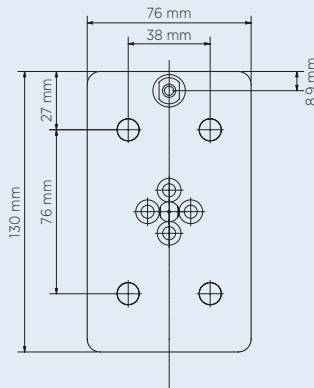


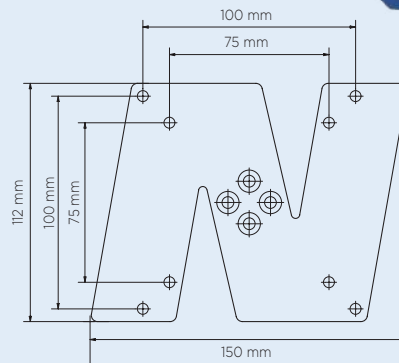
Center Mount Yoke

The Center Mount Yoke is a ball-in-socket yoke that allows for positioning panels in almost any orientation including vertical. The Center Mount Yoke replaces the traditional stirrup and assembling the panels on VESA or mini KINO plates located on the back of the Mount Yoke.

- Ball-in-socket design
- 28 mm (Junior) Spigot with long “goose neck”
- VESA or mini KINO plates attached to the Mount Yoke.



Center Mount Yoke with mini Kino Plate



Center Mount Yoke with Vesa Plate





Center Mount Yoke

- SJ9001** - Long Mount Yoke with Spigot and mini Kino Plate
- SJ9002** - Short Mount Yoke with Spigot and mini Kino Plate
- SJ9004** - Long Mount Yoke with Spigot and Vesa Plate
- SJ9005** - Short Mount Yoke with Spigot and Vesa Plate

