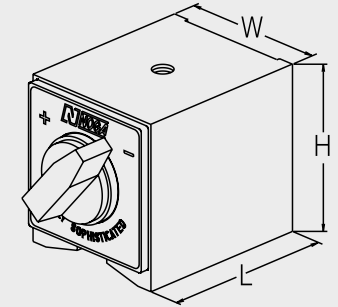
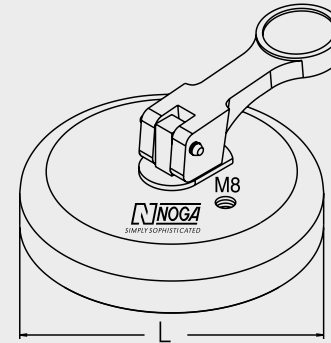
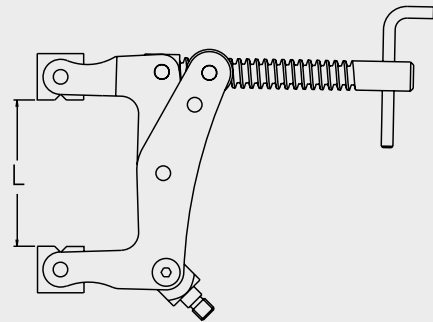


Bases & Clamps



Order No.	Max. Load Type	Weight		Force [N]	Thread	W		L		H	
		Kg	lb			mm	inch	mm	inch	mm	inch
DG0036	ON/OFF magnet	1.000	2.200	800	M8	50	1.97	60	2.36	55	2.16
DG1003	ON/OFF magnet multi-thread	1.350	2.280	1000	M6/8/10/12 10 x 1.25	50	1.97	75	2.95	55	2.16
DG0040	Vacuum base	0.400	0.880	350	M8	-	-	Ø65	-	-	-
MG0125	3" clamp with plastic cover	0.600	1.320	-	INT. M8	-	-	75	2.95	-	-
MG1006	3" clamp	0.600	1.320	-	EXT. M8	-	-	75	2.95	-	-
MG1003	3" clamp	0.600	1.320	-	INT. M8	-	-	75	2.95	-	-
MA0320	4" clamp	1.600	2.552	-	INT. M10 x 1.25	-	-	100	3.94	-	-